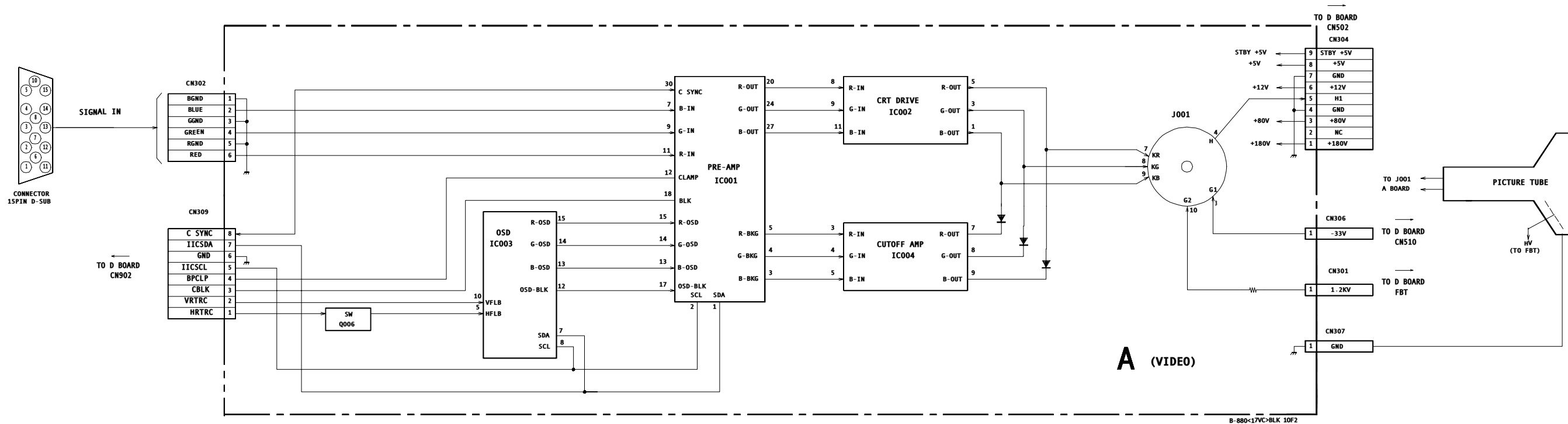
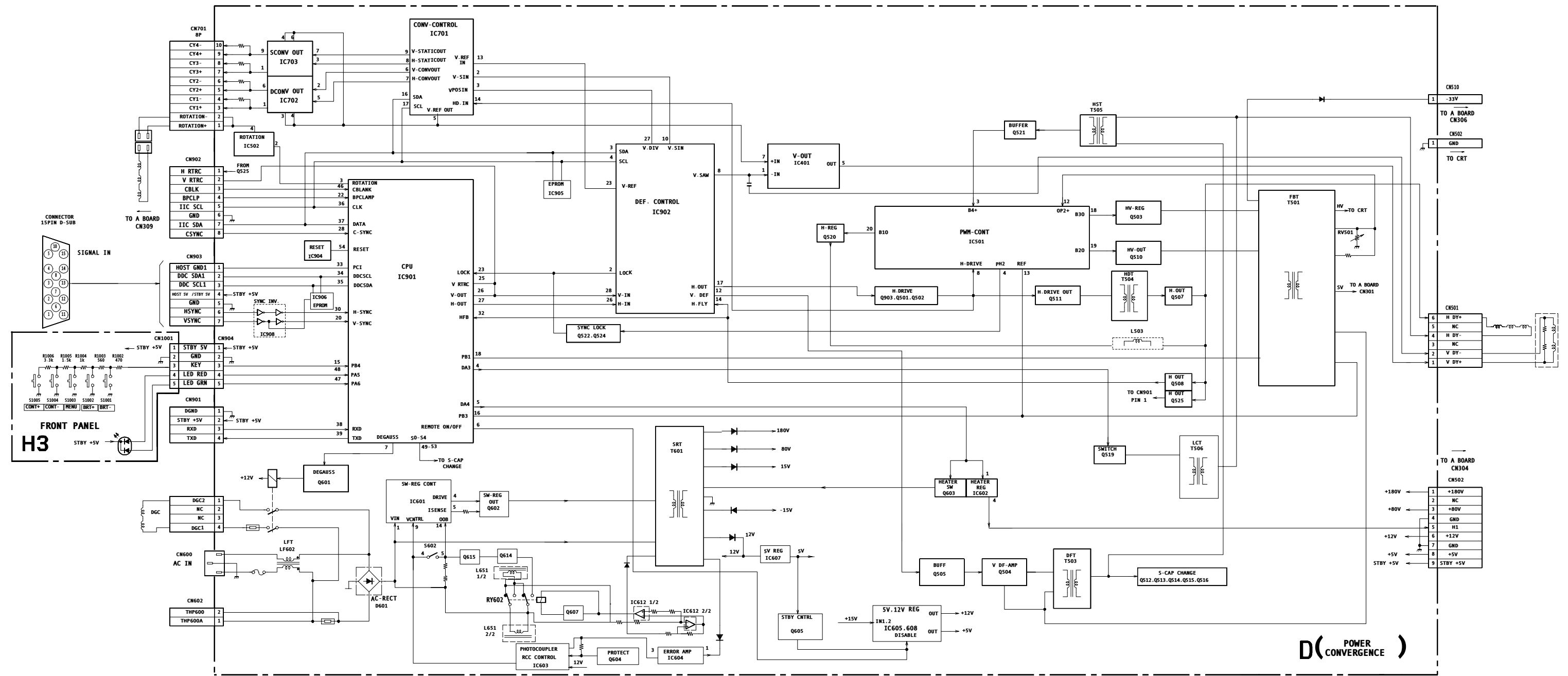


4-3. DIAGRAMS BLOCK DIAGRAM (1/2)

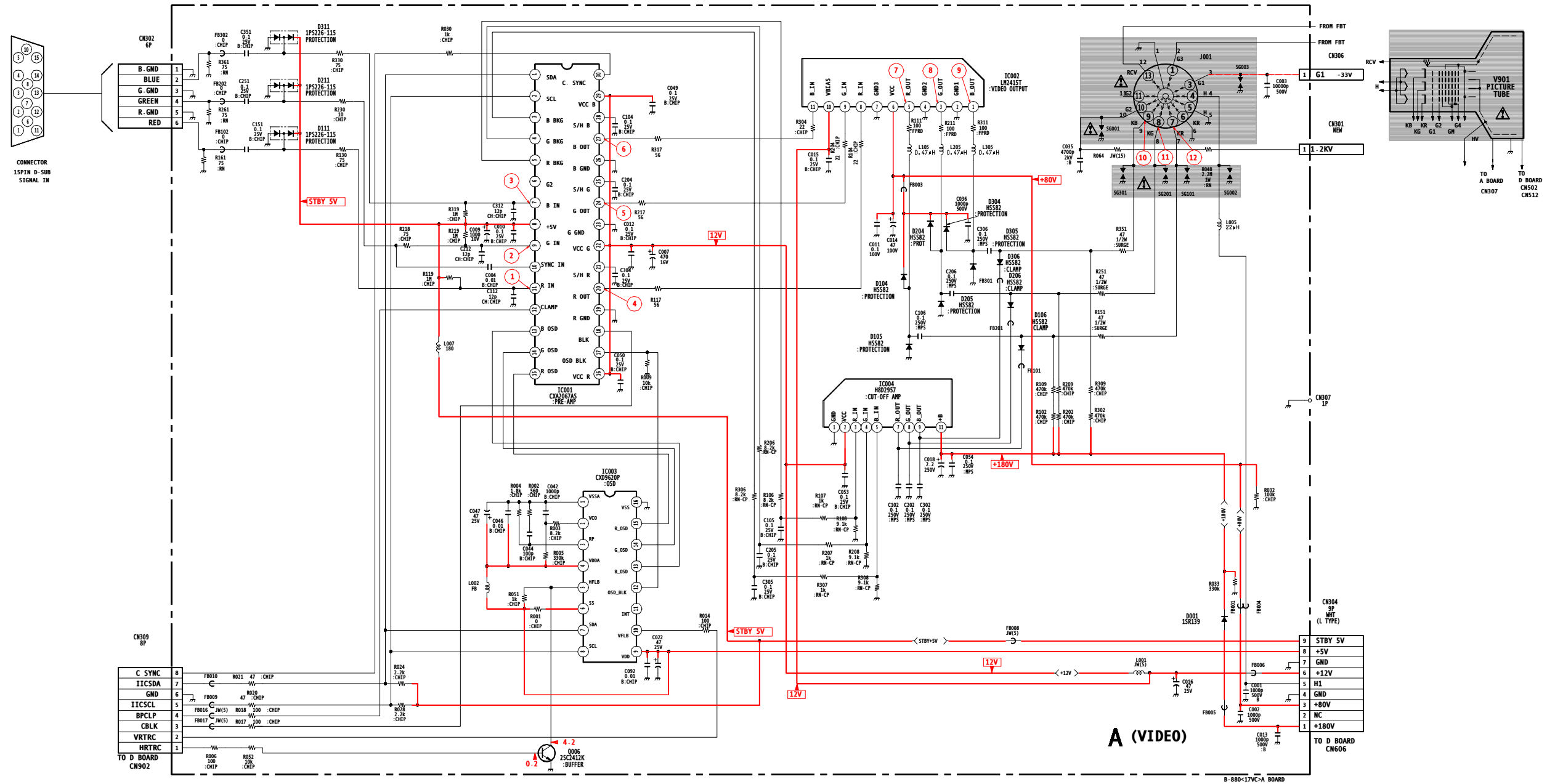




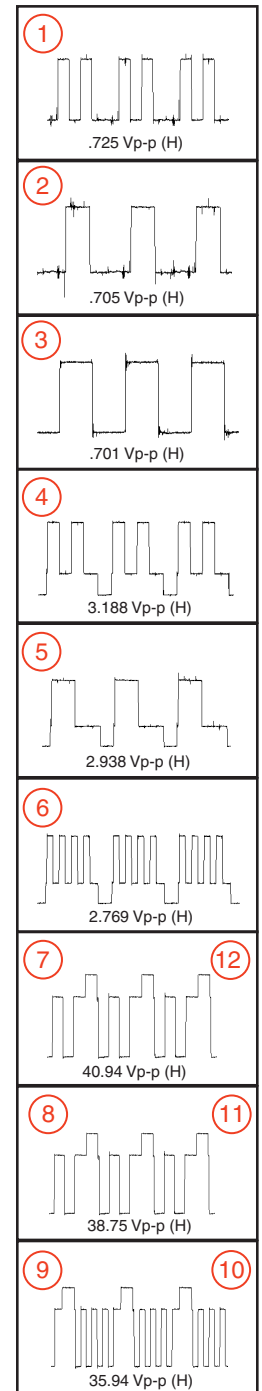
D(POWER CONVERGENCE)

B-880-17VC-BLK 20F2

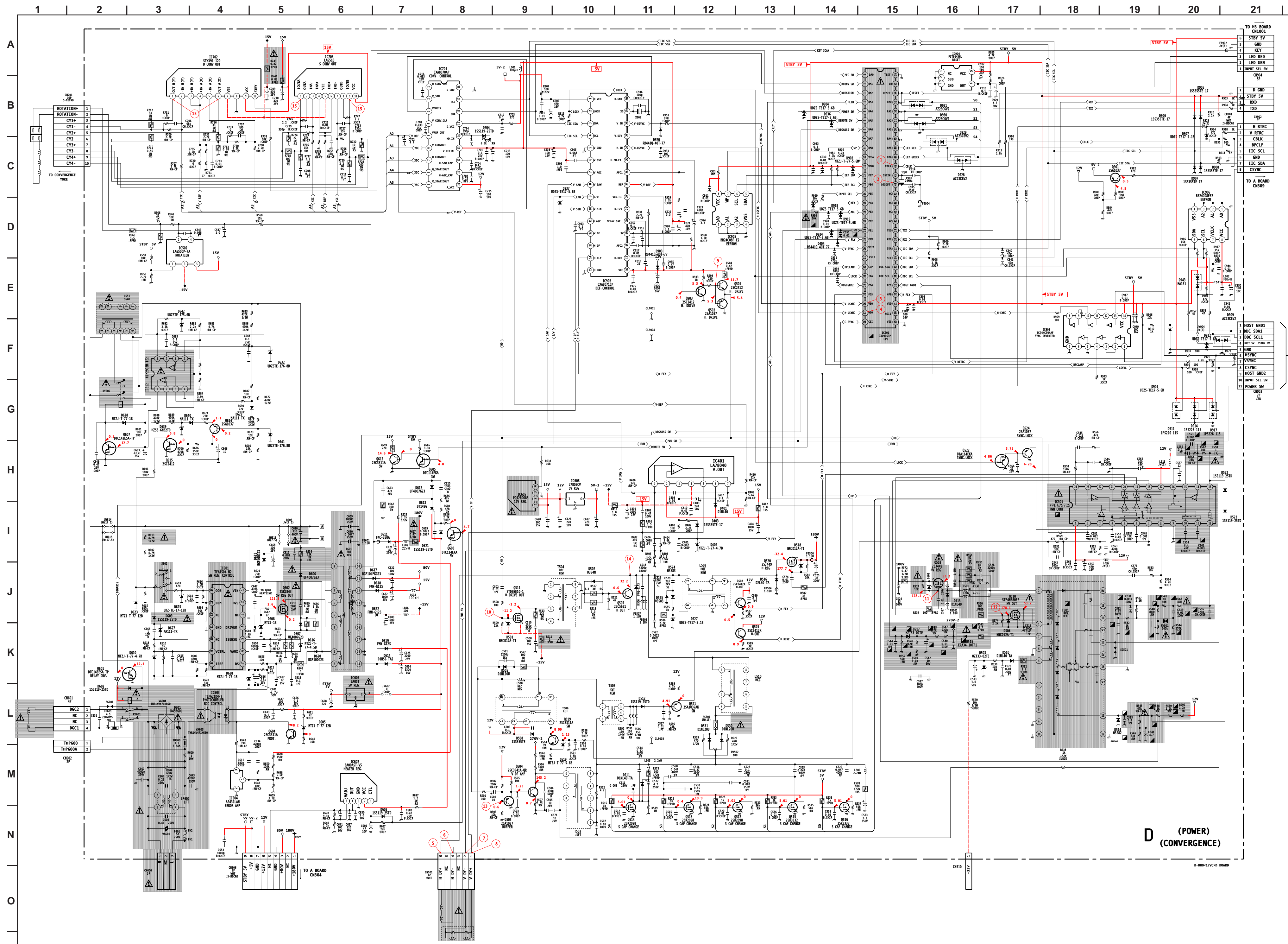
A BOARD SCHEMATIC DIAGRAM



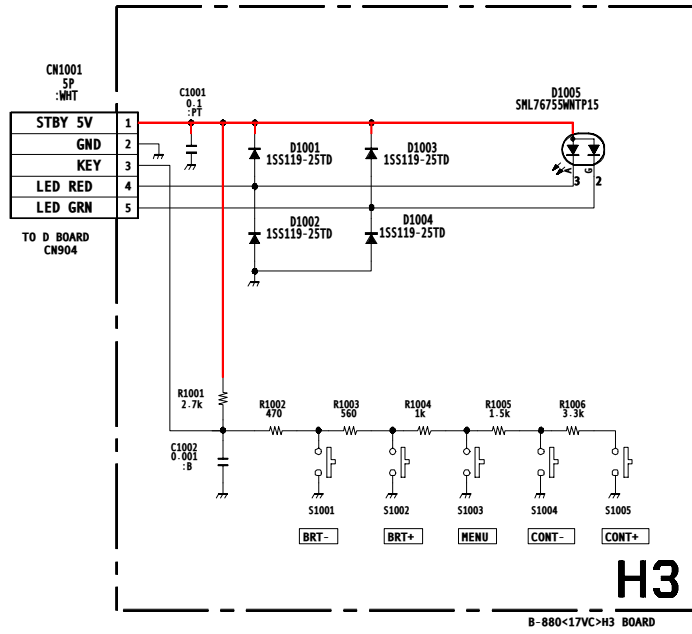
A BOARD WAVEFORMS



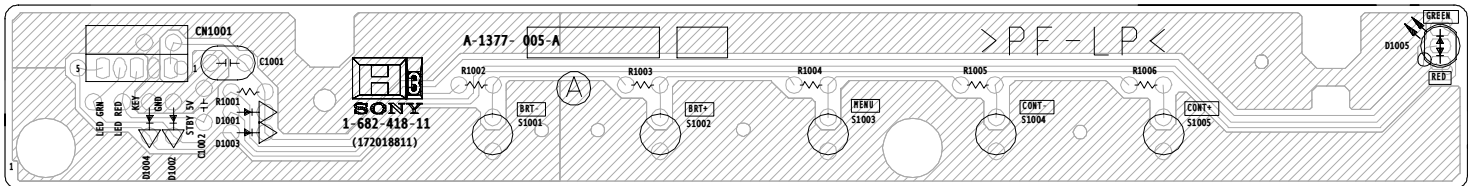
D BOARD SCHEMATIC DIAGRAM



H3 BOARD SCHEMATIC DIAGRAM

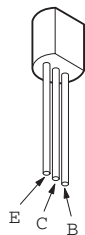


H3 [FRONT PANEL]

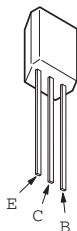


4-4. SEMICONDUCTORS

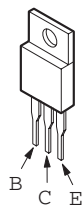
2SC2610



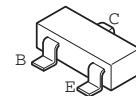
DTC143ESA



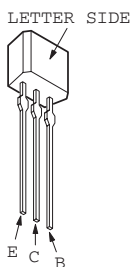
2SC4634LS-CB11



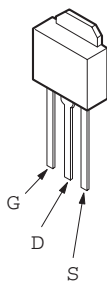
2SC1623-L5L6
2SA1037AK-T146-R
2SC3941A-Q(TA)
DTA114EKA-T146



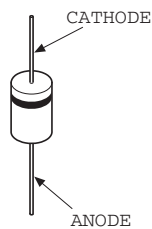
2SA1175-HFE
2SC2785-HFE
DTC114TSA
2SC3311A-QRSTA



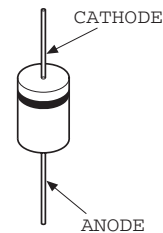
2SK2605LBSONY
2SK3155-01
2SK2098-01MR-F119
2SK2843LBS2SONY
IRFU110A



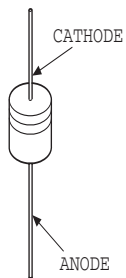
MTZJ-T-77-12B
ERC81-004
EGP10D
RGP10JPKG23
RGP10DG23
RL3Z-LF014-302



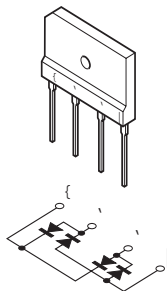
HZU5.6B2TRF
D1NS6
D1NL40-TA2
UF4007G23
RGP02-20EL-6394
ERB91-02



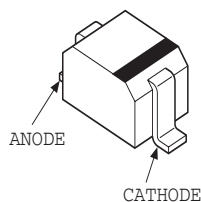
1SS119-25
RD5.1ESB2
RD5.6ESB2
RD18ESB2
RD10ESB2
MTZJ-4.7C
MTZJ-T-77-18
RB441Q-40T-77



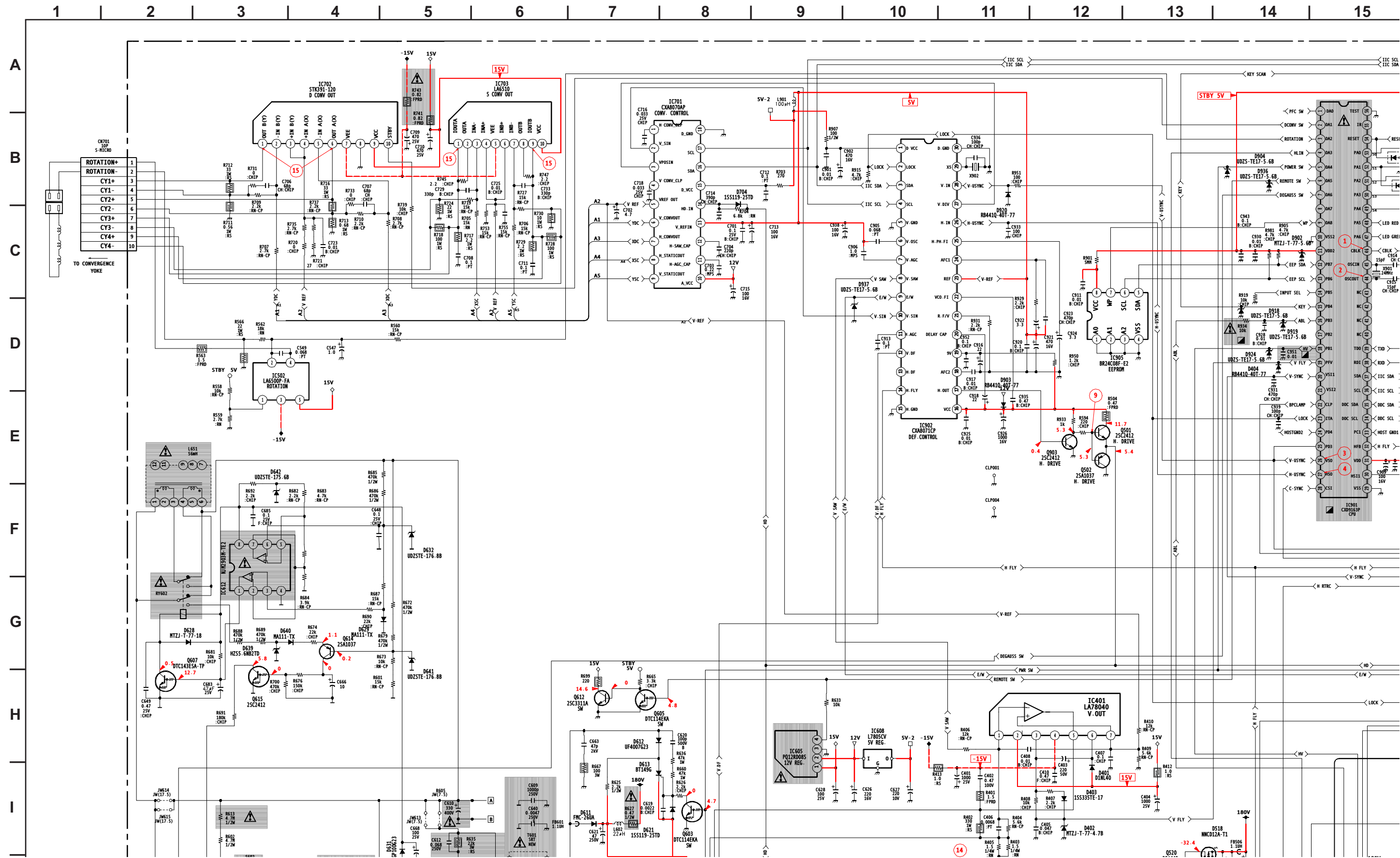
D4SB60L



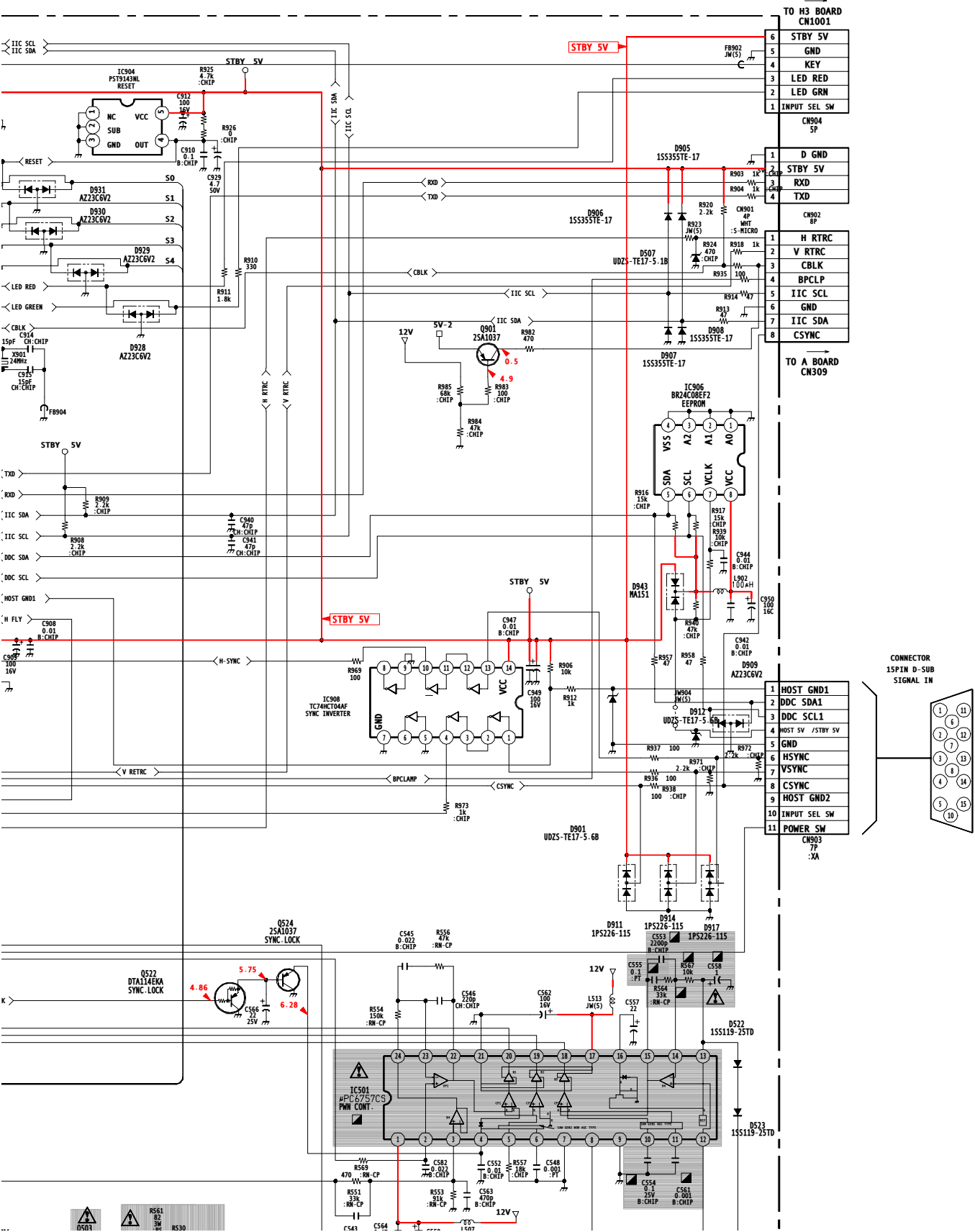
HSS83TD
1SS355TE-17
HSS82



D BOARD SCHEMATIC DIAGRAM



16 | 17 | 18 | 19 | 20 | 21



TO H3 BOARD
CN1001

| | |
|---|--------------|
| 6 | STBY 5V |
| 5 | GND |
| 4 | KEY |
| 3 | LED RED |
| 2 | LED GRN |
| 1 | INPUT SEL SW |

CN904
5P

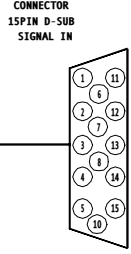
| | |
|---|---------|
| 1 | D GND |
| 2 | STBY 5V |
| 3 | RXD |
| 4 | TXD |

CN902
8P

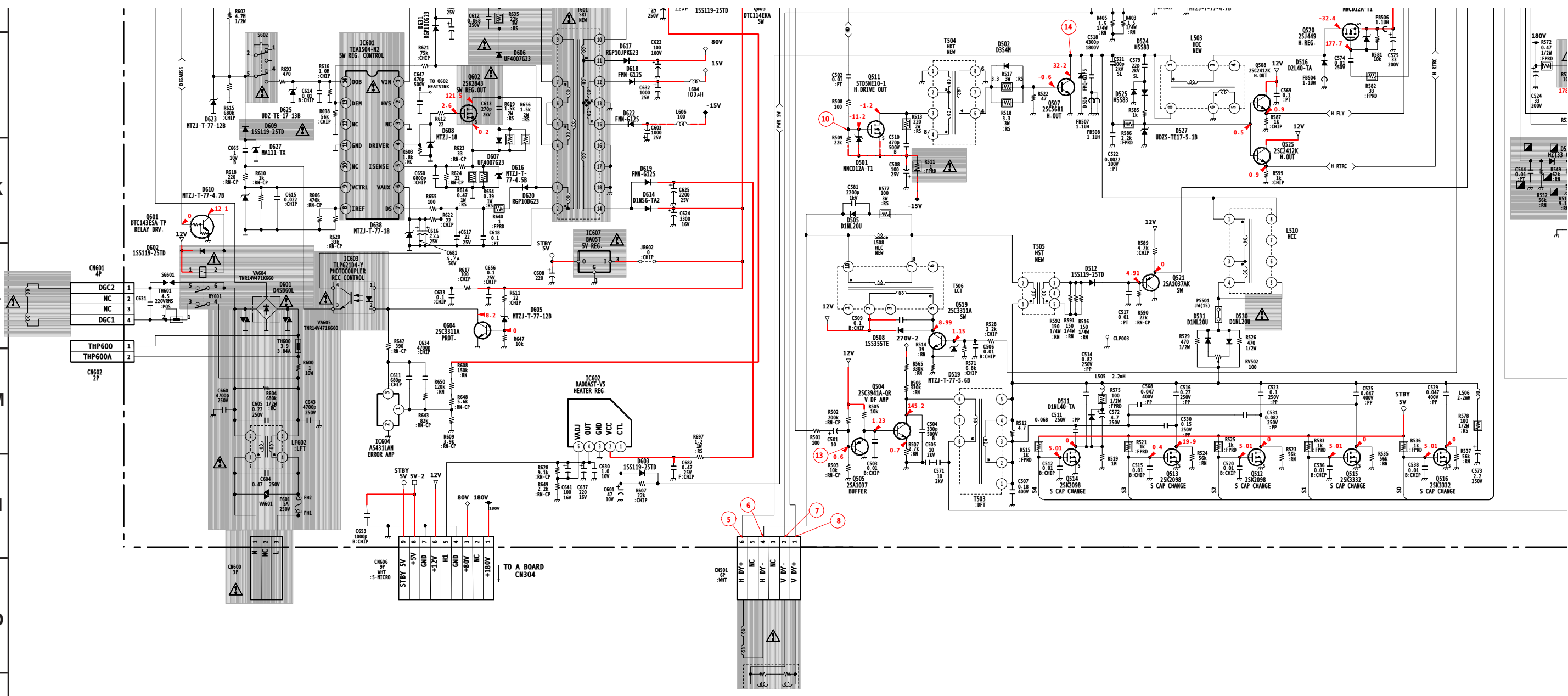
| | |
|---|---------|
| 1 | H RTRC |
| 2 | V RTRC |
| 3 | CBLK |
| 4 | BPCLP |
| 5 | IIC SCL |
| 6 | GND |
| 7 | IIC SDA |
| 8 | CSYNC |

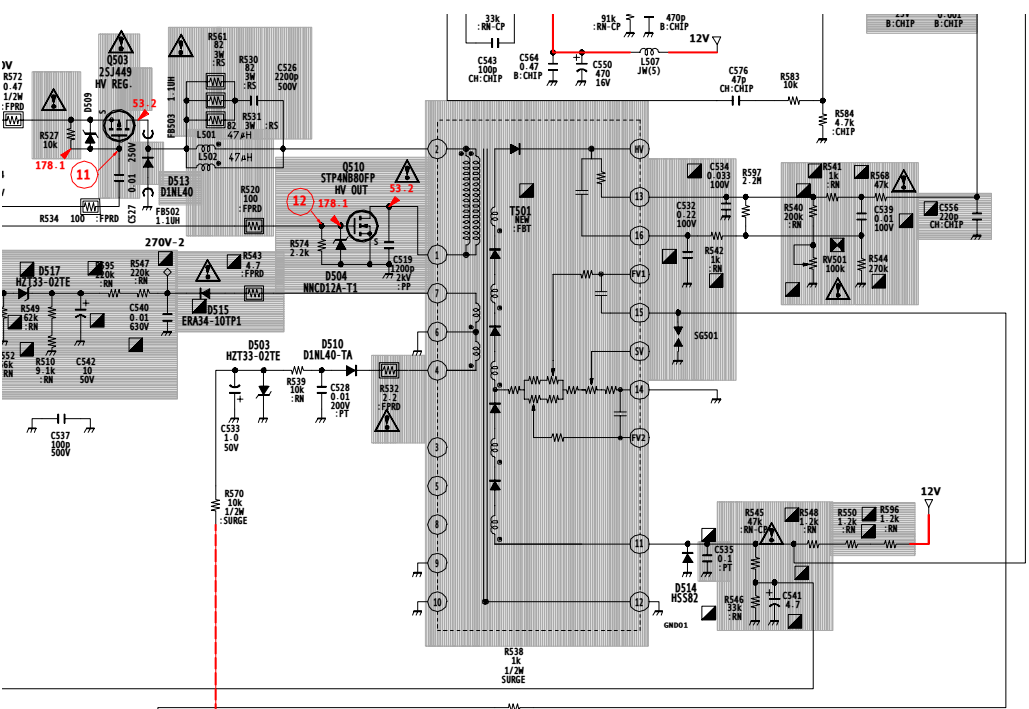
TO A BOARD
CN309

| | |
|----|------------------|
| 1 | HOST GND1 |
| 2 | DDC SDA1 |
| 3 | DDC SCL1 |
| 4 | HOST SV /STBY 5V |
| 5 | GND |
| 6 | HSYNC |
| 7 | VSYNC |
| 8 | CSYNC |
| 9 | HOST GND2 |
| 10 | INPUT SEL SW |
| 11 | POWER SW |



J
K
L
M
N
O





**D (POWER)
(CONVERGENCE)**

B-880<17VC>D BOARD

CN510